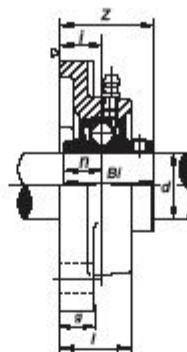
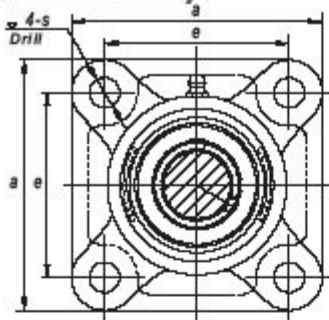


UCF 200 (normal-duty)



SR type seal



TRL type seal

Bearing unit No.	Shaft Dia.		Dimensions (in.) or (mm)										Bolt used		Bearing No.	Housing No.	Weight (kg)
	d		a	e	i	g	l	s	Z	Bi	n						
	(in.)	(mm)										(mm)	(in.)				
UCF 201 201-8	1/2	12	3 3/8 86	2 33/64 64	10/32 15	15/32 12	1 25.5	15/32 12	1 5/16 33.3	1.2205 31.0	0.5000 12.7	M10	3/8	UC 201 201-8	F 201	0.63	
UCF 202 202-10		15	3 3/8 86	2 33/64 64	10/32 15	15/32 12	1 25.5	15/32 12	1 5/16 33.3	1.2205 31.0	0.5000 12.7	M10	3/8	UC 202 202-10	F 202	0.63	
UCF 203 203-11	11/16	17	3 3/8 86	2 33/64 64	10/32 15	15/32 12	1 25.5	15/32 12	1 5/16 33.3	1.2205 31.0	0.5000 12.7	M10	3/8	UC 203 203-11	F 203	0.63	
UCF 204-12 204		20	3 3/8 86	2 33/64 64	10/32 15	15/32 12	1 25.5	15/32 12	1 5/16 33.3	1.2205 31.0	0.5000 12.7	M10	3/8	UC 204-12 204	F 204	0.63	
UCF 205-14 205-15 205	3/8 15/16	25	3 3/4 95	2 3/4 70	5/8 16	9/16 14	1 1/16 27	15/32 12	1 13/32 35.7	1.3386 34	0.5630 14.3	M10	3/8	UC 205-14 205-15 205	F 205	0.82	
UCF 205-16			1	3 3/4 95	2 3/4 70	5/8 16	9/16 14	1 1/16 27	15/32 12	1 13/32 35.7	1.3386 34	0.5630 14.3	M10	3/8	UC 205-16	F 205	0.82
UCF 206-18 206 206-19 206-20	1 1/8 1 1/4	30	4 1/4 108	3 17/64 83	45/64 18	9/16 14	1 7/32 31	15/32 12	1 19/32 40.2	1.5000 38.1	0.6260 15.9	M10	3/8	UC 206-18 206 206-19 206-20	F 206	1.10	
UCF 207-20 207-21 207-22 207 207-23			1 1/2 1 3/8 1 3/8 1 1/2	35	4 19/32 117	3 5/8 92	3/4 19	5/8 16	1 11/32 34	35/64 14	1 3/4 44.4	1.6890 42.9	0.6890 17.5	M12	7/16	UC 207-20 207-21 207-22 207 207-23	F 207
UCF 208-24 208-25 208	1 1/2 1 3/4	40	5 1/8 130	4 1/4 102	33/64 21	5/8 16	1 13/32 36	5/8 16	2 1/64 51.2	1.9370 49.2	0.7480 19.0	M14	1/2	UC 208-24 208-25 208	F 208	1.9	
UCF 209-26 209-27 209-28 209			1 5/8 1 11/16 1 3/4	45	5 13/32 137	4 3/4 105	35/64 22	23/32 18	1 1/2 38	5/8 16	2 1/16 52.2	1.9370 49.2	0.7480 19.0	M14	1/2	UC 209-26 209-27 209-28 209	F 209
UCF 210-30 210-31 210 210-32	1 7/8 1 15/16 2	50	5 5/8 143	4 3/8 111	35/64 22	23/32 18	1 9/16 40	5/8 16	2 5/32 54.6	2.0315 51.6	0.7480 19.0	M14	1/2	UC 210-30 210-31 210 210-32	F 210	2.5	
UCF 211-32 211-34 211 211-35			2 2 1/8 2 3/16	55	6 3/8 162	5 1/8 130	63/64 25	25/32 20	1 11/16 43	3/4 19	2 19/64 58.4	2.1890 55.6	0.8740 22.2	M16	5/8	UC 211-32 211-34 211 211-35	F 211
UCF 212-36 212 212-38 212-39	2 1/4 2 3/8 2 1/2	60	6 7/8 175	5 5/8 143	1 9/64 29	25/32 20	1 3/8 48	3/4 19	2 15/64 68.7	2.5630 65.1	1.0000 25.4	M16	5/8	UC 212-36 212 212-38 212-39	F 212	4.4	
UCF 213-40 213			2 1/2	65	7 3/8 187	5 55/64 149	1 3/16 30	25/32 20	1 31/32 50	3/4 19	2 3/4 69.7	2.5630 65.1	1.0000 25.4	M16	5/8	UC 213-40 213	F 213
UCF 214-44 214	2 3/4	70	7 9/32 193	5 63/64 152	1 7/32 31	15/16 24	2 1/8 54	3/4 19	2 23/32 75.4	2.9370 74.6	1.1890 30.2	M16	5/8	UC 214-44 214	F 214	6.0	
UCF 215 215-47 215-48	2 15/16 3	75	7 7/8 200	6 17/64 159	1 3/8 35	15/16 24	2 1/4 57	3/4 19	3 1/8 77.8	3.0630 77.8	1.3110 33.3	M16	5/8	UC 215 215-47 215-48	F 215	6.6	
UCF 216 216-50			3 1/8	80	8 1/8 208	6 1/2 165	1 3/8 35	15/16 24	2 15/64 59	20/32 23	3 5/16 84.3	3.2520 82.6	1.3110 33.3	M20	3/4	UC 216 216-50	F 216
UCF 217-52 217	3 1/4	85	8 21/32 220	6 55/64 175	1 27/64 31	1 1/32 26	2 15/32 63	20/32 23	3 7/16 87.6	3.3740 85.7	1.3425 34.1	M20	3/4	UC 217-52 217	F 217	9.1	
UCF 218-56 218	3 1/2	90	9 1/4 235	7 23/64 187	1 21/32 42	1 1/32 26	2 10/64 70	20/32 23	3 7/8 98.3	3.7795 96.0	1.5630 39.7	M20	3/4	UC 218-56 218	F 218	11.3	