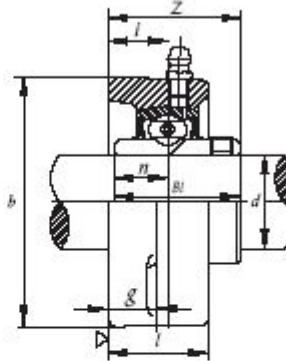
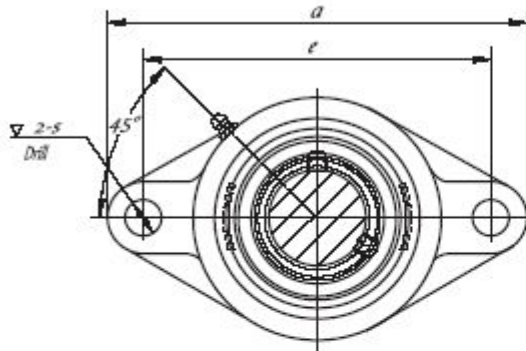


UCFL 200 (normal-duty)



SR type seal



TRL type seal

Bearing unit No.	Shaft Dia.		Dimensions (in.) or (mm)										Bolt used		Bearing No.	Housing No.	Weight (kg)
	d (in.)	d (mm)	a	e	i	g	l	s	b	z	Bi	n	(mm)	(in.)			
UCFL 201 201-8	1/2	12	4 7/16 113	3 3/8 90	1 3/8 15	1 1/4 11	1 25.5	1 1/2 12	2 3/8 60	1 1/4 33.3	1.2205 31.0	0.5000 12.7	M10	3/8	UC 201 201-8	FL 201	0.49
UCFL 202 202-10	5/8	15	4 1/2 113	3 7/16 90	1 3/8 15	1 1/4 11	1 25.5	1 1/2 12	2 3/8 60	1 1/4 33.3	1.2205 31.0	0.5000 12.7	M10	3/8	UC 202 202-10	FL 202	0.49
UCFL 203 203-11	11/16	17	4 1/2 113	3 7/16 90	1 3/8 15	1 1/4 11	1 25.5	1 1/2 12	2 3/8 60	1 1/4 33.3	1.2205 31.0	0.5000 12.7	M10	3/8	UC 203 203-11	FL 203	0.49
UCFL 204-12 204	3/4	20	4 1/2 113	3 7/16 90	1 3/8 15	1 1/4 11	1 25.5	1 1/2 12	2 3/8 60	1 1/4 33.3	1.2205 31.0	0.5000 12.7	M10	3/8	UC 204-12 204	FL 204	0.49
UCFL 205-14 205-15 205 205-16	1/2 15/16 1	25	6 1/2 130	3 5/8 99	1 3/4 16	1 1/2 13	1 1/4 27	1 1/2 16	2 1/2 68	1 1/2 35.7	1.3386 34	0.5630 14.3	M14	1/2	UC 205-14 205-15 205 205-16	FL 205	0.63
UCFL 206-18 206 206-19 206-20	1/2 15/16 1/2	30	5 1/2 148	4 29/64 117	1 3/4 18	1 1/2 13	1 1/2 31	1 1/2 16	3 1/2 80	1 1/2 40.2	1.5000 38.1	0.6260 15.9	M14	1/2	UC 206-18 206 206-19 206-20	FL 206	0.94
UCFL 207-20 207-21 207-22 207 207-23	1/2 15/16 1/2 1/2	35	6 1/2 161	5 1/8 130	1 3/4 19	1 1/2 14	1 1/2 34	1 1/2 16	3 1/2 90	1 1/2 44.4	1.6890 42.9	0.6890 17.5	M14	1/2	UC 207-20 207-21 207-22 207 207-23	FL 207	1.2
UCFL 208-24 208-25 208	1/2 15/16	40	6 7/8 175	5 49/64 144	1 3/4 21	1 1/2 14	1 1/2 36	1 1/2 16	3 1/2 100	2 1/2 51.2	1.9370 49.2	0.7480 19.0	M14	1/2	UC 208-24 208-25 208	FL 208	1.6
UCFL 209-26 209-27 209-28 209	1/2 15/16 1/2	45	7 1/2 188	5 7/8 148	1 3/4 22	1 1/2 15	1 1/2 38	1 1/2 19	4 1/4 108	2 1/2 52.2	1.9370 49.2	0.7480 19.0	M16	5/8	UC 209-26 209-27 209-28 209	FL 209	1.9
UCFL 210-30 210-31 210 210-32	1/2 15/16 1/2	50	7 3/4 197	6 3/8 157	1 3/4 22	1 1/2 15	1 1/2 40	1 1/2 19	4 1/2 115	2 3/2 54.6	2.0315 51.6	0.7480 19.0	M16	5/8	UC 210-30 210-31 210 210-32	FL 210	2.2
UCFL 211-32 211-34 211 211-35	2 2 1/8 2 1/8	55	8 13/16 224	7 1/4 184	1 3/4 23	1 1/2 18	1 1/2 43	1 1/2 19	4 7/8 130	2 3/8 58.4	2.1890 55.6	0.8740 22.2	M16	5/8	UC 211-32 211-34 211 211-35	FL 211	3.2
UCFL 212-36 212 212-38 212-39	2 1/2 2 3/8 2 3/4	60	9 27/32 250	7 61/64 202	1 3/4 29	1 1/2 18	1 1/2 48	1 1/2 23	5 1/2 140	2 49/64 68.7	2.5630 65.1	1.0000 25.4	M20	3/4	UC 212-36 212 212-38 212-39	FL 212	4.1
UCFL 213-40 213	2 1/2	65	10 9/32 258	8 1/8 210	1 3/4 30	1 1/2 20	1 1/2 50	1 1/2 23	6 3/32 155	2 3/4 69.7	2.5630 65.1	1.0000 25.4	M20	3/4	UC 213-40 213	FL 213	5.1
UCFL 214-44 214	2 3/4	70	10 1/4 265	8 1/2 216	1 3/4 31	1 1/2 20	1 1/2 54	1 1/2 23	6 1/4 160	2 3/4 75.4	2.9370 74.6	1.1890 30.2	M20	3/4	UC 214-44 214	FL 214	5.9
UCFL 215 215-48	3	75	10 3/8 275	8 5/8 225	1 3/4 35	1 1/2 20	1 1/2 57	1 1/2 23	6 1/2 165	3 1/8 79.5	3.0630 77.8	1.3110 33.3	M20	3/4	UC 215 215-48	FL 215	6.4
UCFL 216 216-50	3 1/8	80	11 1/32 290	9 1/16 233	1 3/4 35	1 1/2 20	1 1/2 59	1 1/2 25	6 3/8 180	3 1/2 84.3	3.2520 82.6	1.3110 33.3	M22	7/8	UC 216 216-50	FL 216	7.9
UCFL 217-52 217	3 1/4	85	12 305	9 3/8 248	1 3/4 36	1 1/2 22	1 1/2 63	1 1/2 25	7 1/8 190	3 1/2 87.6	3.3740 85.7	1.3425 34.1	M22	7/8	UC 217-52 217	FL 217	9.6
UCFL 218-56 218	3 1/2	90	12 1/2 320	10 1/16 265	1 3/4 42	1 1/2 23	1 1/2 70	1 1/2 25	8 1/16 205	3 3/8 98.3	3.7795 96.0	1.5630 39.7	M22	7/8	UC 218-56 218	FL 218	12.1