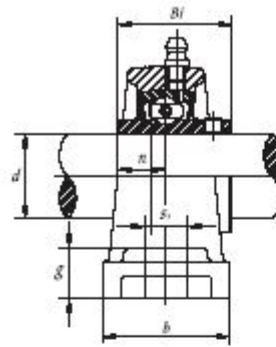
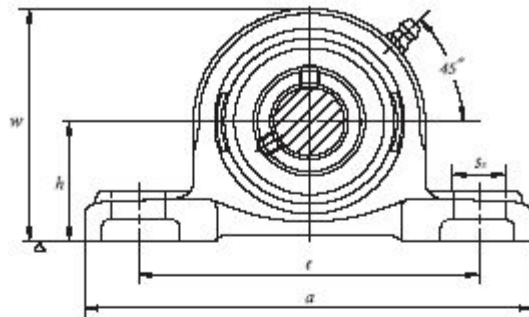


UCP 200 (normal-duty)



SR type seal



TRL type seal

Bearing unit No.	Shaft Dia.		Dimensions (in.) or (mm)										Bolt used		Bearing No.	Housing No.	Weight (kg)
	(in.)	(mm)	<i>h</i>	<i>a</i>	<i>e</i>	<i>b</i>	<i>s</i> ₂	<i>s</i> ₁	<i>g</i>	<i>w</i>	<i>Bi</i>	<i>n</i>	(mm)	(in.)			
UCP 201 201-8	1/2	12	1 1/16 30.2	5 127	3 25/32 96	1 1/2 38	3/4 19	1/2 13	1 9/32 15	2 7/16 62	1.2205 31.0	0.5000 12.7	M10	3/8	UC 201 201-8	P 201	0.63
UCP 202 202-10	5/8	16	1 1/4 30.2	5 127	3 25/32 96	1 1/2 38	3/4 19	1/2 13	1 9/32 15	2 7/16 62	1.2205 31.0	0.5000 12.7	M10	3/8	UC 202 202-10	P 202	0.63
UCP 203 203-11	11/16	17	1 1/8 30.2	5 127	3 25/32 96	1 1/2 38	3/4 19	1/2 13	1 9/32 15	2 7/16 62	1.2205 31.0	0.5000 12.7	M10	3/8	UC 203 203-11	P 203	0.63
UCP 204-12 204	3/4	20	1 5/8 33.3	5 127	3 25/32 96	1 1/2 38	3/4 19	1/2 13	1 9/32 15	2 7/16 65	1.2205 31.0	0.5000 12.7	M10	3/8	UC 204-12 204	P 204	0.65
UCP 205-14 205-15 205 205-16	7/8 1 1/16 1	25	1 1/2 36.5	5 1/2 140	4 3/8 105	1 1/2 38	3/4 19	1/2 13	1 5/8 16	2 3/4 70	1.3386 34	0.5630 14.3	M10	3/8	UC 205-14 205-15 205 205-16	P 205	0.79
UCP 206-18 206 206-19 206-20	1 1/8 1 5/16 1 1/4	30	1 1/2 42.9	6 1/2 165	4 3/4 121	1 7/8 48	13/16 21	21/32 17	45/64 18	3 13/64 83	1.5000 38.1	0.6260 15.9	M14	1/2	UC 206-18 206 206-19 206-20	P 206	0.79
UCP 207-20 207-21 207-22 207 207-23	1 1/4 1 1/16 1 3/8 1 1/2	35	1 5/8 47.6	6 3/4 167	4 31/32 126	1 7/8 48	13/16 21	21/32 17	3/4 19	3 5/8 92	1.6890 42.9	0.6890 17.5	M14	1/2	UC 207-20 207-21 207-22 207 207-23	P 207	1.60
UCP 208-24 208-25 208	1 1/2 1 5/16	40	1 13/16 49.2	7 1/4 184	5 23/64 136	2 1/8 54	13/16 21	21/32 17	3/4 19	3 25/32 98	1.9370 49.2	0.7480 19.0	M14	1/2	UC 208-24 208-25 208	P 208	2.00
UCP 209-26 209-27 209-28 209	1 3/8 1 1/2 1 3/4	45	2 1/8 54.0	7 15/32 190	5 3/4 146	2 1/8 54	13/16 21	21/32 17	25/32 20	4 3/16 106	1.9370 49.2	0.7480 19.0	M14	1/2	UC 209-26 209-27 209-28 209	P 209	2.20
UCP 210-30 210-31 210 210-32	1 5/8 1 11/16 2	50	2 1/4 57.2	8 1/8 206	6 1/4 159	2 3/8 60	1 25	25/32 20	7/8 22	4 15/32 112	2.0315 51.6	0.7480 19.0	M16	5/8	UC 210-30 210-31 210 210-32	P 210	2.80
UCP 211-32 211-34 211 211-35	2 2 1/8 2 1/4	55	2 1/2 63.5	8 5/8 219	6 47/64 171	2 3/8 60	1 25	25/32 20	7/8 22	4 31/32 126	2.1890 55.6	0.8740 22.2	M16	5/8	UC 211-32 211-34 211 211-35	P 211	3.40
UCP 212-36 212 212-38 212-39	2 1/4 2 3/8 2 1/2	60	2 5/8 69.8	9 1/2 241	7 1/4 184	2 3/4 70	1 25	25/32 20	1 25	5 25/64 137	2.5630 65.1	1.0000 25.4	M16	5/8	UC 212-36 212 212-38 212-39	P 212	4.80
UCP 213-40 213	2 1/2	65	3 76.2	10 1/16 265	8 203	2 3/4 70	1 1/4 29	1 25	1 1/16 27	5 23/32 160	2.5630 65.1	1.0000 25.4	M20	3/4	UC 213-40 213	P 213	5.70
UCP 214-44 214	2 3/4	70	3 1/4 79.4	10 3/32 266	8 7/32 210	2 23/32 72	1 1/4 31	1 25	1 1/16 27	6 9/32 156	2.9370 74.6	1.1890 30.2	M20	3/4	UC 214-44 214	P 214	7.00
UCP 215 215-47 215-48	2 15/16 3	75	3 1/2 82.6	10 7/16 275	8 1/2 217	2 19/32 74	1 1/4 31	1 25	1 1/32 28	6.4173 163	3.0630 77.8	1.3110 33.3	M20	3/4	UC 215 215-47 215-48	P 215	7.60
UCP 216 216-50	3 3 1/8	80	3 3/4 88.9	11 1/2 292	9 1/4 232	3 1/8 78	1 1/2 31	1 25	1 3/16 30	6.8898 175	3.2520 82.6	1.3110 33.3	M20	3/4	UC 216 216-50	P 216	9.00
UCP 217-52 217 217-55	3 1/4 3 3/8	85	3 3/4 95.2	12 3/32 310	9 23/32 247	3 5/32 83	1 1/2 31	1 25	1 1/2 32	7.3622 187	3.3740 85.7	1.3425 34.1	M20	3/4	UC 217-52 217 217-55	P 217	11.50
UCP 218-56 218	3 1/2	90	4 101.6	12 3/8 327	10 5/16 262	3 15/32 88	1 1/2 33	1 1/4 27	1 1/2 34	7.8740 200	3.7795 96.0	1.5630 39.7	M22	7/8	UC 218-56 218	P 218	14.30